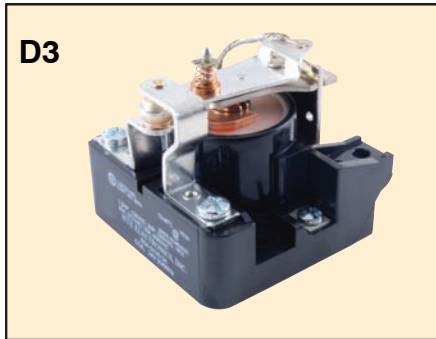


## Features

- Screw Terminals
- Long Life Contacts
- Molded Plastic Barrier Insulation
- Molded Nylon Bobbin Coil



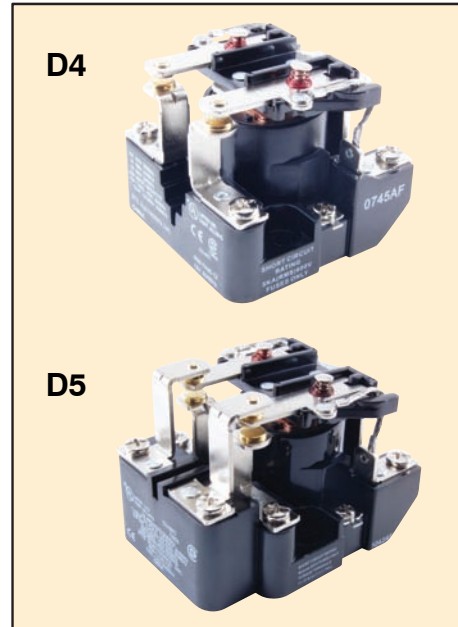
AC OPERATED						
NTE TYPE No.	Nom. Voltage	Contact Arr.	Coil Res. Ohms (Typ)	Nom. Power	Max. Contact Cur. @ 28VDC or 120VAC	Diag No.
R04-3A30-12	12VAC	SPST-NO	—	10VA	30A	D4
R04-3A30-24	24VAC	SPST-NO	—	10VA	30A	D4
R04-3A30-120	120VAC	SPST-NO	—	10VA	30A	D4
R04-3A30-240	240VAC	SPST-NO	—	10VA	30A	D4
R04-5A30-12	12VAC	SPDT	—	10VA	30A	D3
R04-5A30-24	24VAC	SPDT	—	10VA	30A	D3
R04-5A30-110	120VAC	SPDT	—	10VA	30A	D3
R04-5A30-240	240VAC	SPDT	—	10VA	30A	D3
R04-7A30-12	12VAC	DPST-NO	—	10VA	30A	D4
R04-7A30-24	24VAC	DPST-NO	—	10VA	30A	D4
R04-7A30-120	120VAC	DPST-NO	—	10VA	30A	D4
R04-7A30-240	240VAC	DPST-NO	—	10VA	30A	D4
R04-11A30-12	12VAC	DPDT	—	10VA	30A	D5
R04-11A30-24	24VAC	DPDT	—	10VA	30A	D5
R04-11A30-120	120VAC	DPDT	—	10VA	30A	D5
R04-11A30-240	240VAC	DPDT	—	10VA	30A	D5
DC OPERATED						
R04-3D30-12	12VDC	SPST-NO	70	2.0W	30A	D4
R04-3D30-24	24VDC	SPST-NO	290	2.0W	30A	D4
R04-5D30-12	12VDC	SPDT	70	2.0W	30A	D3
R04-5D30-24	24VDC	SPDT	290	2.0W	30A	D3
R04-5D30-110	110VDC	SPDT	6K	2.0W	30A	D3
R04-7D30-12	12VDC	DPST-NO	70	2.0W	30A	D4
R04-7D30-24	24VDC	DPST-NO	290	2.0W	30A	D4
R04-7D30-110	110VDC	DPST-NO	6K	2.0W	30A	D4
R04-11D30-12	12VDC	DPDT	70	2.0W	30A	D5
R04-11D30-24	24VDC	DPDT	290	2.0W	30A	D5
R04-11D30-48	48VDC	DPDT	1200	2.0W	30A	D5
R04-11D30-110	110VDC	DPDT	6K	2.0W	30A	D5

ACCESSORIES	
DESCRIPTION	NTE TYPE NO.
DUST COVER, 2-PIECE ENAMELED STEEL ENCLOSURE	RLY9165

# R04 Series



Heavy Duty, 30 Amp, Open Frame Relay designed for Industrial Control, High Inrush Current Applications such as Motor Starting and Incandescent Lamp Loads.



## Electrical Specifications

### Contact

**Contact Rating:** 30 Amps up to 300VAC 50/60 Hz, 5 Amps @ 480/600VAC, 50/60Hz, 0.75pf (slightly inductive) load. 1½ HP motor load at 120 thru 600VAC 50/60Hz. 30 Amps @ 28VDC, resistive load (each pole). 2 HP motor load at 200 thru 600VAC 50/60Hz when using two poles to switch both sides of load.

**Contact Material:** Silver cadmium oxide, 5/16" Dia

### Coil

**Coil Voltages:** See Chart

**Coil Resistance:** See chart

**Coil Power:** Maximum Coil Dissipation: 4 watts DC

**Duty Cycle:** Continuous

### Operational Characteristics

**Timing Values . . . . . Operate Time:** 40mS or less  
**Release Time:** 30mS or less

### Insulation Characteristics

#### Dielectric Strength

**Across Open Contacts:** 1500 VRMS  
 Between mutually insulated conductive elements: 2200 VRMS

### Environmental Characteristics

**Operating:** -30° to +50°C (AC), -30°C to +60°C (DC)

**Non-operating (storage):** -30°C to +100°C

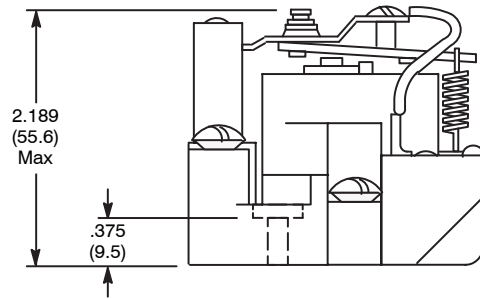
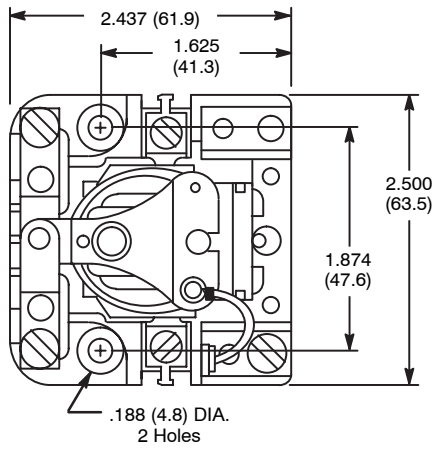
### Weight

**D3 case:** 8 ozs (227 grams)—approx

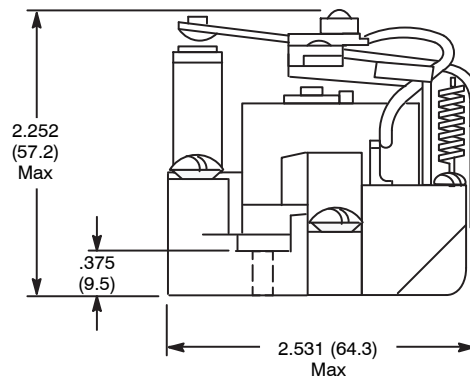
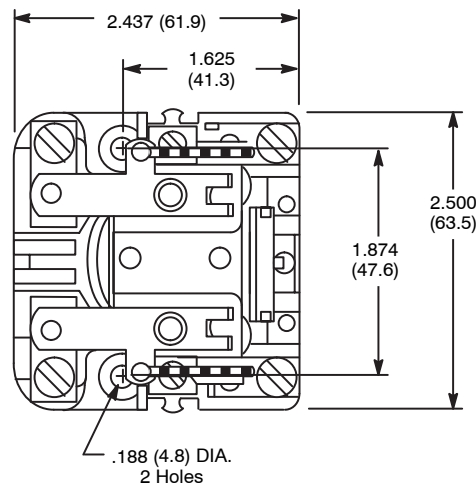
**D4 case:** 9 ozs (255 grams)—approx

**D5 case:** 11 ozs (311 grams)—approx

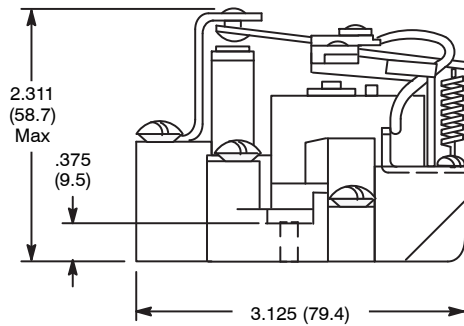
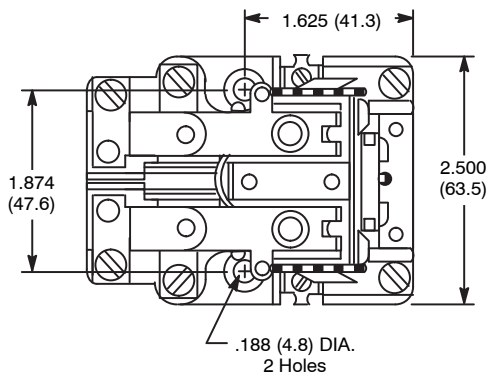
### D3



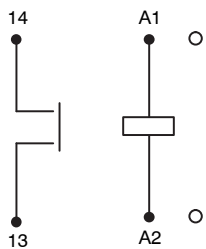
### D4



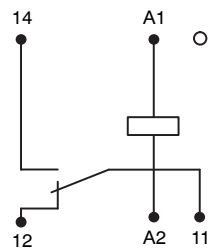
### D5



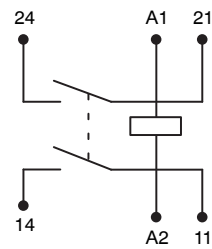
#### SPST-NO 1 Form "A"



#### SPDT 1 Form "C"



#### DPST-NO 2 Form "A"



#### DPDT 2 Form "C"

