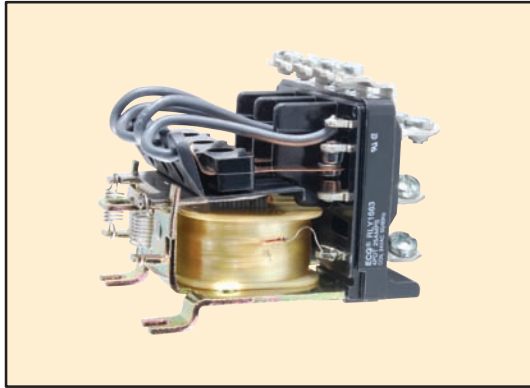
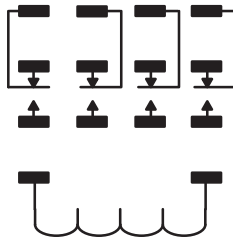


## Features

- Single or Polyphase Service
- Buzz-Free, Shaded AC Coil
- High Dielectric Strength
- Arc-Over Barrier Between Each Contact



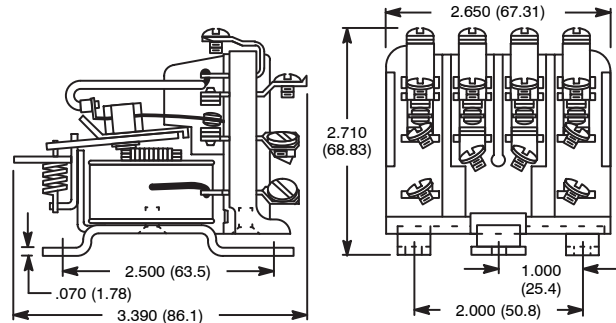
4PDT, 4 Form "C"



# RLY16/17 Series

## Heavy Duty, Open Frame, 25 Amp, 4PDT, AC & DC Power Relays.

D76



## Electrical Specifications

### Contact

Rating: 25 Amp @ 277 VAC max, 10 Amp @ 28 VDC  
 1 HP @ 120/240 VAC, Single Phase

Material: Silver-cadmium oxide

Resistance: 100mΩ Max

### Coil

Coil Voltages: See Chart

Duty Cycle: Continuous

Resistance: See Chart

### Operational Characteristics

#### Must Operate Voltage

AC Coil: 85% of nominal voltage @ +25°C

DC Coil: 75% of nominal voltage @ +25°C

Timing Value: . . . Operate Time: 25 mS max

Release Time: 25 mS max

### Insulation Characteristics

#### Dielectric Strength

Between All Elements and GND: 2000Vrms Min.

Insulation Resistance: 1000MΩ Min.

### Environmental Characteristics

#### Operating

AC: -55°C to +45°C @ nominal coil power

DC: -55°C to +55°C @ nominal coil power

#### Life

Mechanical: 10,000,000 operations (under rated load)

Electrical: 100,000 operations (under rated load)

### Mounting

Std: One front key-hole and two rear channel slots for #8-32 screws

### Weight

Std: 14 oz (397 grams) approx.

AC OPERATED						
NTE Type No.	Nom. Volt.	Contact Arr.	Coil Res. Ohms (Typ)	Approx. Nom. Power	Max. Contact Cur. @ 277VAC	Diag No.
RLY1663	24VAC	4PDT	5	14 VA	25A	D76
RLY1665	120VAC	4PDT	120	14 VA	25A	D76
RLY1666	240VAC	4PDT	600	14 VA	25A	D76
DC OPERATED						
RLY1762	12VDC	4PDT	30	4.4W	25A	D76
RLY1763	24VDC	4PDT	130	4.4W	25A	D76

ACCESSORIES			
STYLES	DESCRIPTION	CONTACT ARR.	NTE TYPE NO.
DUST COVER	PLASTIC	4PDT	RLY9166