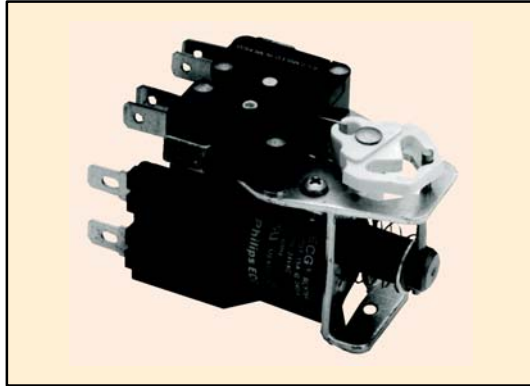
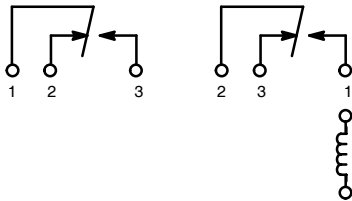


## Features

- Quick Connect Terminals: .250" (6.35mm) or .187" (4.75mm)  
Consult factory for actual stock (See Note under drawing)
- Multicontact
- Pulse Operation
- Power Saving



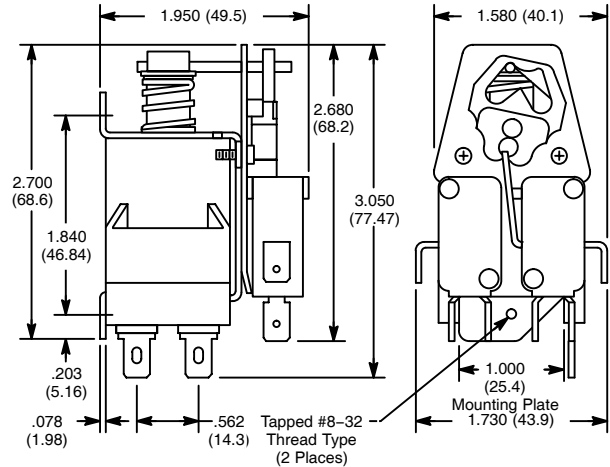
DPDT, 2 Form "C"



# RLY76/77 Series

## 15 Amp, Bistable, DPDT, Impulse Relays.

D72



\* Quick Connect Terminals May be either .250in or .187in.  
Consult Factory for actual stock

## Electrical Specifications

### Contact

Rating: 15 Amp @ 125/250 VAC

Contact Horsepower Rating: 1/2 HP @ 125/250 VAC

### Coil

Coil Voltages: See Chart

Resistance: See Chart

### Operational Characteristics

Timing Value: . . . Operate Time: 75 mS min

Release Time: 75 mS min

### Must Operate Voltage

AC Coil: 85% of nominal voltage @ +25°C

DC Coil: 75% of nominal voltage @ +25°C

### Insulation Characteristics

#### Dielectric Strength

Initial Breakdown Voltage: 1500V RMS, 60Hz

Insulation Resistance: Class B (130°C)

### Environmental Characteristics

Operating: -10°C to +60°C

### Life

Mechanical: 100,000 operations

Electrical: 50,000 operations (under rated load)

### Weight

Std: 7.75 oz (241 grams) approx.

AC OPERATED						
NTE Type No.	Nom. Volt.	Contact Arr.	Coil Res. Ohms (Typ)	Approx. Nom. Power	Max. Contact Cur. @ 28VDC 120VAC	Diag No.
RLY7643	24VAC	DPDT	9	9 VA	15A	D72
RLY7645	120VAC	DPDT	260	9 VA	15A	D72
DC OPERATED						
RLY7742	12VDC	DPDT	25	6.5W	15A	D72
RLY7743	24VDC	DPDT	90	6.5W	15A	D72