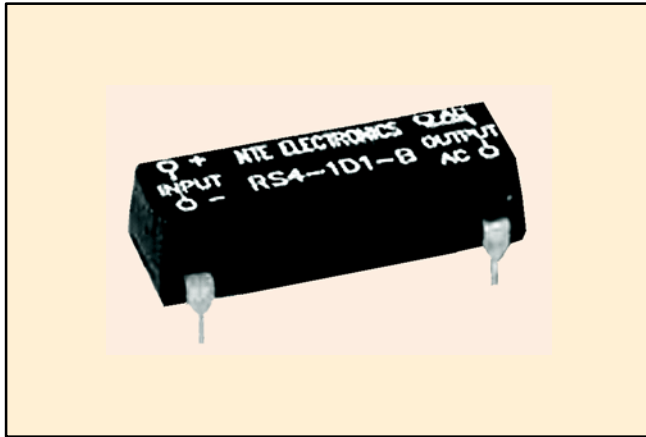


## Features

- Current or Voltage Input Types
- SCR Output
- Zero Crossing Switching
- Standard 16-Lead DIP Type Package with 4 Pins

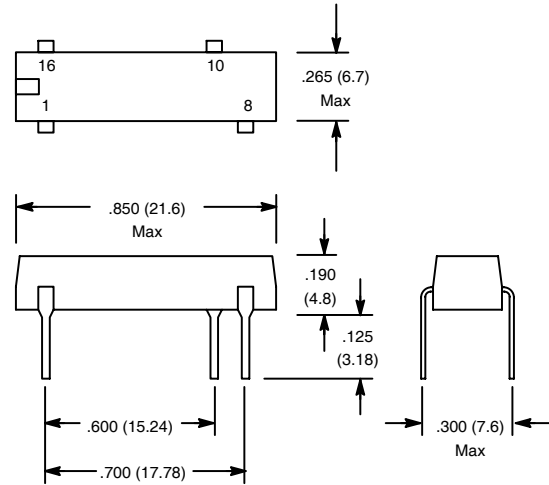


# RS4 Series



## Printed Circuit Board Mountable Solid State Relay, 1 Amp.

D63



## Input Specifications

### RS4-1D1-A (Current Input Type)

Control Current Range: 10–35mA  
Must Turn-On Current: 10mA  
Must Turn-Off Current: 1mA

### RS4-1D1-B (Voltage Input Type)

Control Voltage Range: 3.5–10VDC  
Nom. Input Impedance: 270Ω  
Typ. Input Current (@ 5VDC): 15mA  
Must Turn-On Voltage: 3.5VDC  
Must Turn-Off Voltage: 1.0VDC

## Output Specifications

Operating Voltage Range: 20–280V (RMS)  
Load Current Range: 0.01–1.0A (RMS)  
Transient Over-Voltage: 600V (Peak)  
Max. Surge Current (16.6ms): 30A (Peak)  
Min. Off-State dv/dt: 500V/μs at max. rated voltage  
Max. Off-State Leakage Current: 0.01mA (RMS) at rated voltage  
Max. On-State Voltage Drop: 1.2V (Peak) at rated current  
Max. Turn-On Time: 1/2 cycle  
Max. Turn-Off Time: 1/2 cycle  
Power Factor (Min.) with Max. Load: 0.5

## Electrical Specifications

Dielectric Strength (Input-Output Isolation): 3750V (RMS)  
Min. Insulation Resistance (@ 500VDC): 10<sup>9</sup> Ω  
Max. Capacitance (Input-Output): 2.0pF

## Environmental Characteristics

Operating: -30°C to +80°C  
Storage: -30°C to +125°C

## Pin Connection Diagram

